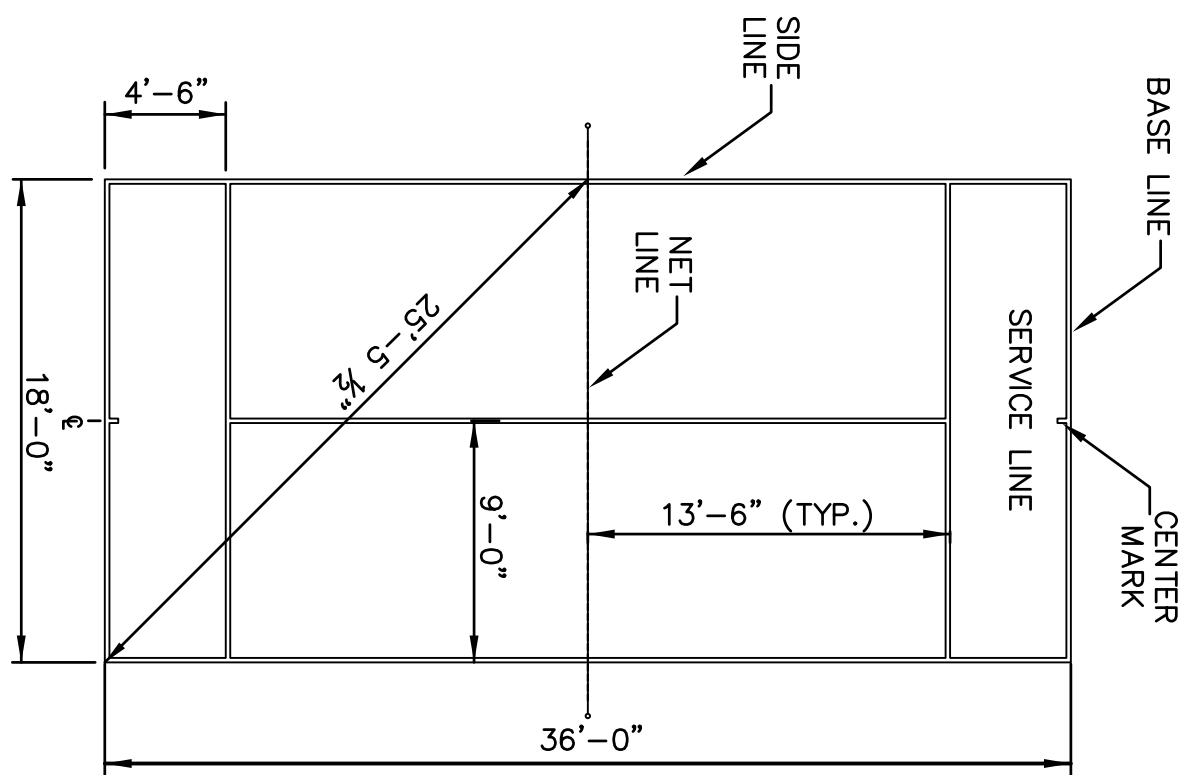
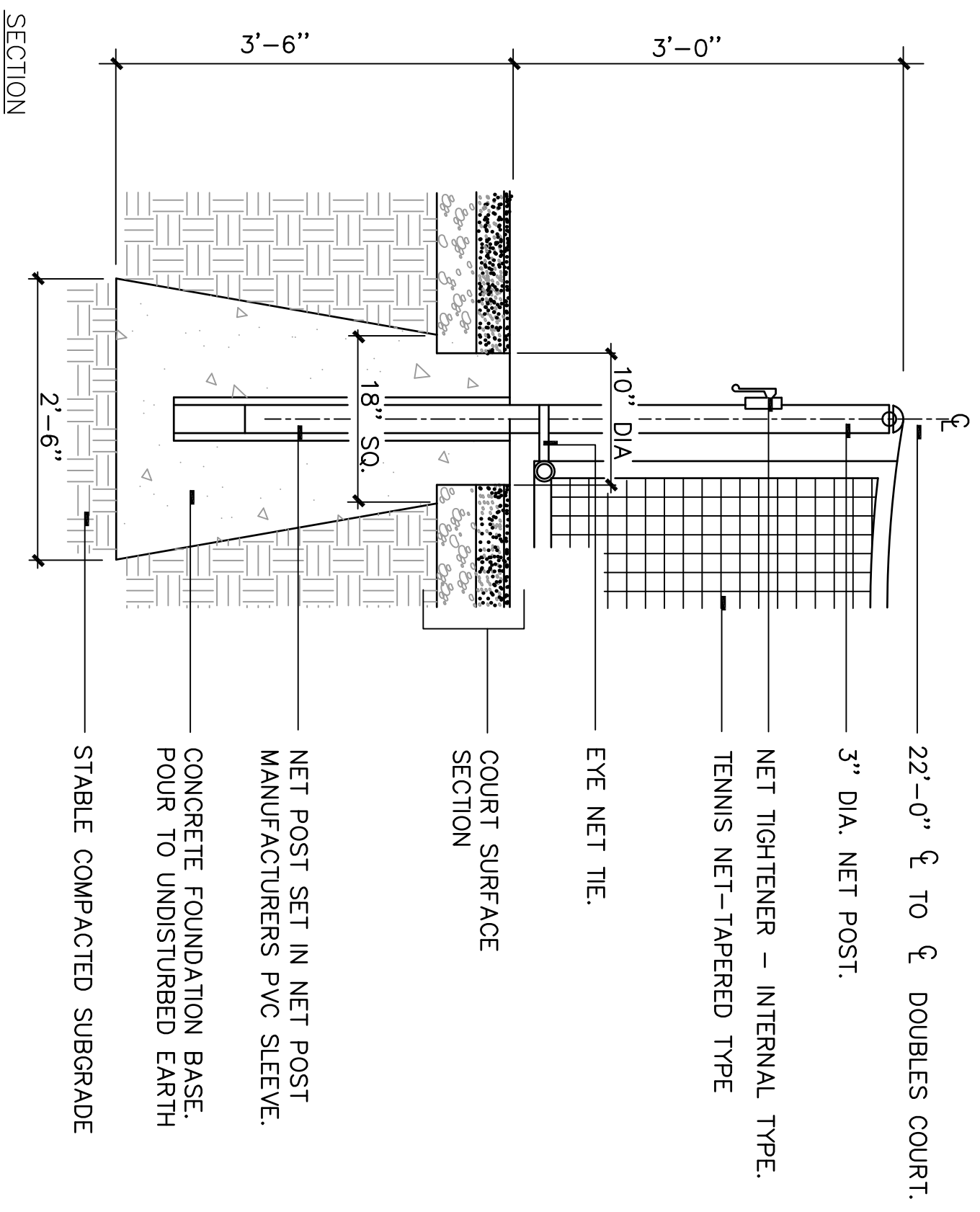
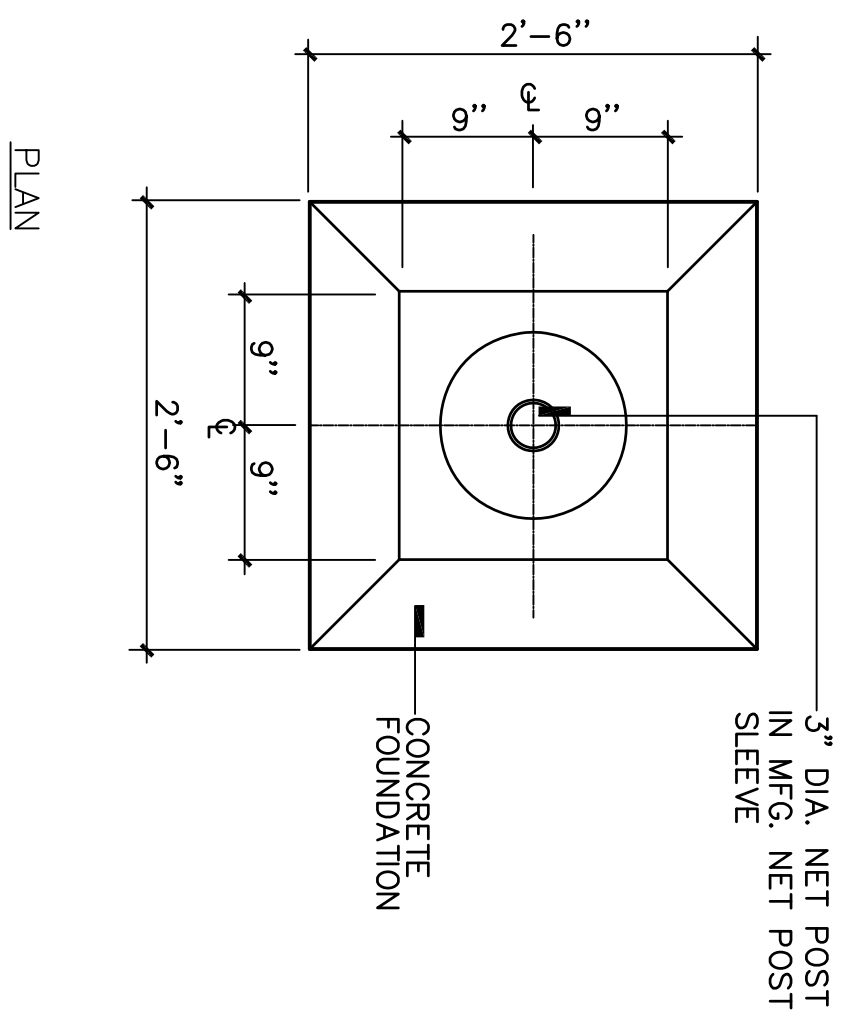


**1** 78 FOOT COURT CONVERSION  
T-4 NOT TO SCALE

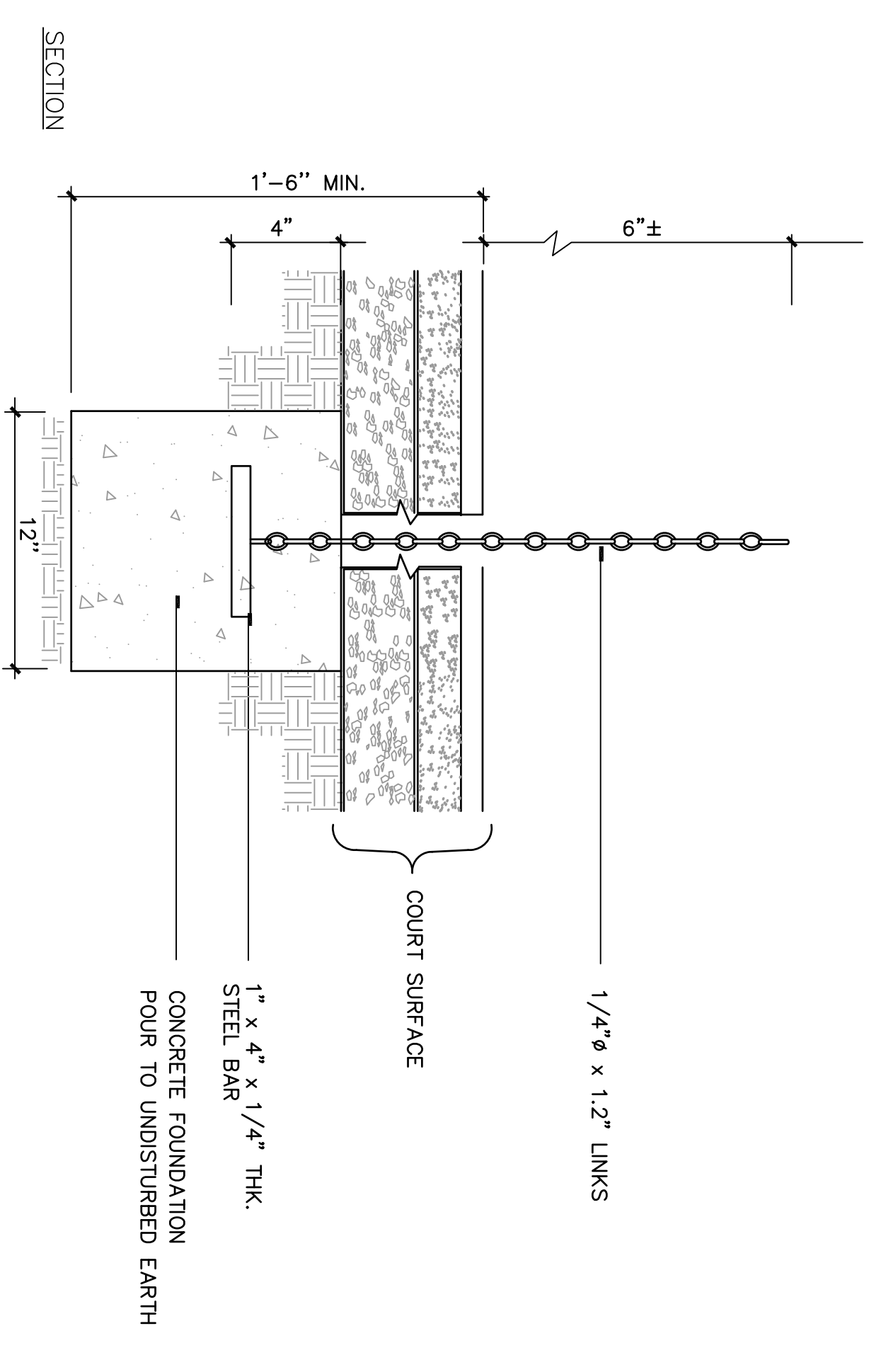
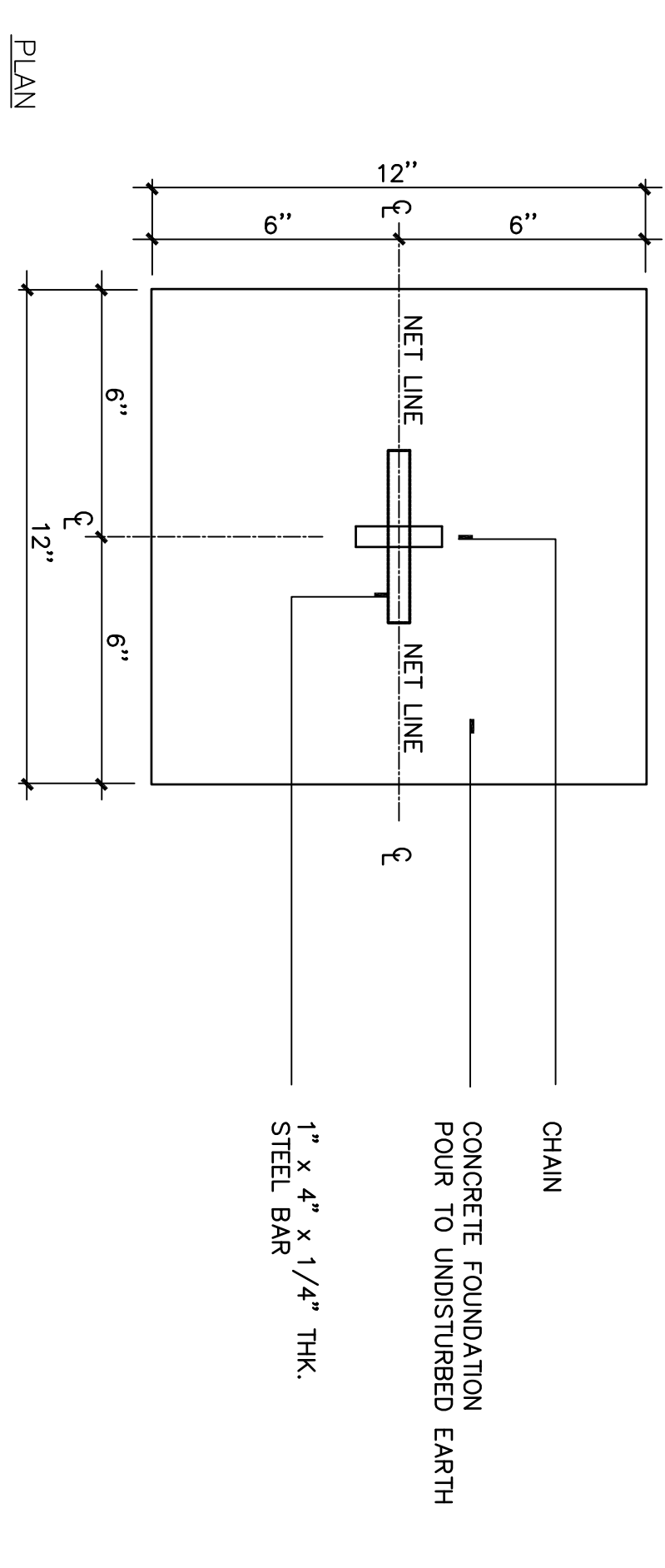


**2** 36 FOOT QUICKSTART COURT LINE LAYOUT  
T-4 NOT TO SCALE

- NOTES:
1. ALL 36 FOOT COURT PLAYING LINES SHALL BE 2" WIDE.
  2. ALL 36 FOOT COURT LINES SHALL BE MEASURED TO THE OUTSIDE EDGE OF THE LINES, WITH THE EXCEPTION OF THE CENTER LINES WHICH SHALL BE MEASURED OUT TO CENTER.
  3. NET POSTS SHALL BE SET 22 FEET APART, MEASURED FROM THE CENTER OF EACH POST. THE NET SHALL MEASURE 36 INCHES AT THE NET POST AND 33 INCHES AT THE CENTER OF THE COURT.



**4** NET POST DETAIL - 36 FOOT COURT  
T-4 NOT TO SCALE



**3** CENTER STRAP ANCHOR DETAIL  
T-4 NOT TO SCALE

PROJECT NAME:  
**36 FOOT TENNIS - CLAY COURTS**

UNITED STATES TENNIS ASSOCIATION  
70 WEST RED OAK LANE  
WHITE PLAINS, NEW YORK 10604  
DAVID W. LASOTA, TENNIS FACILITY CONSULTANT  
VIRGIL CHRISTIAN, DIRECTOR, COMMUNITY TENNIS DEVELOPMENT  
(914) 897-2366

DRAWING DATE: MAY 31, 2018  
SCALE: AS SHOWN  
DRAWING NAME: T-4 COURT DETAILS - EXISTING COURT CONVERSION  
DRAWN BY: DWL  
CHECKED BY: VHC

